



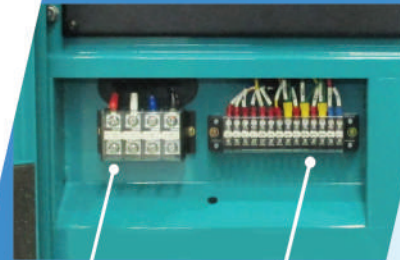
DSA-32HK5

STATIONARY DIESEL GENERATOR

Denyo holds a prominent position in the generator set industry and in the continuous pursuit of excellence, Denyo have developed the "DSA-32HK5" model. It represents the company's innovation in the form of a "Stationary Generator Set" that delivers a reliable and consistent electricity supply.



OUTPUT TERMINALS



(Terminal Block) (Terminal Block)
3-Phase 4-wires Controller & Battery, Charger inputs

WOODWARD EASYGEN 1600



Alarm indicator & Status indicator
(Load, Mains, Connection indicators, Auto, Manual, Stop indicators)

Alternator Designed and Made by Denyo

At Denyo, we handle the entire production process of our generators on-site, encompassing the design and manufacturing of components (excluding the engine), as well as the final assembly and quality control. This approach empowers us to promptly address our customers' requirements, including providing tailored specifications within tight delivery schedules.

Voltage Regulation Within $\pm 0.5\%$

Denyo's proprietary high-performance Automatic Voltage Regulator (AVR) ensures exceptional stability in power output by effectively maintaining voltage regulation within a narrow range of $\pm 0.5\%$.

SPECIFICATION TABLE

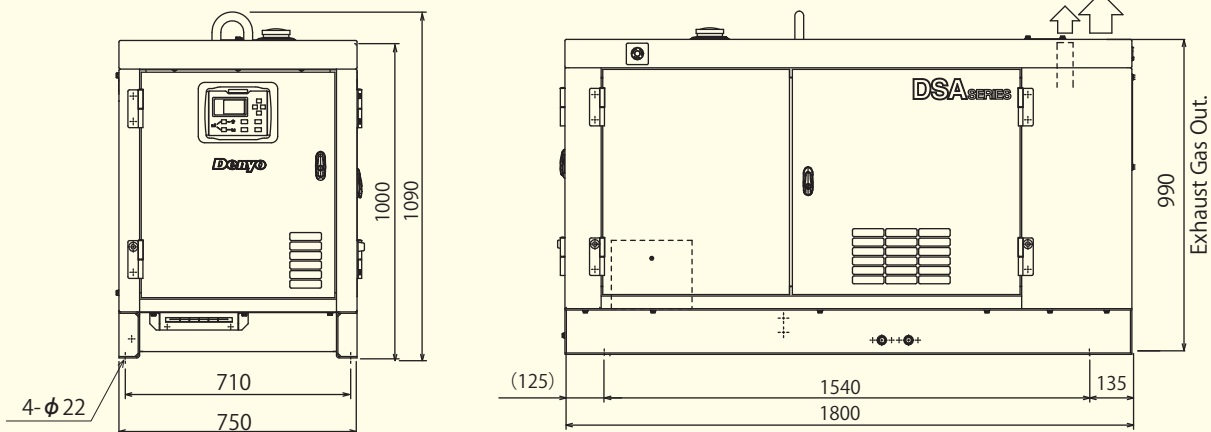
| MODEL | | DSA-32HK5 | |
|----------------------------------------|----------------------------------------------------------|------------------|------|
| AC Generator | | | |
| Frequency | Hz | 50 | |
| Output Rating | Prime | kVA | 30 |
| | Standby | kVA | 31.5 |
| No. of Phases | 3 (4 wires) | | |
| Rated Voltage | V | 380 - 415 | |
| Power Factor | 0.8 (lagging) | | |
| Voltage Regulation | % | ±0.5 | |
| Excitation | Brushless type (with AVR) | | |
| Insulation | Class H | | |
| Engine | | | |
| Model | KUBOTA V3300-EB | | |
| Type | 4-cycle, water-cooled, diesel engine, swirl chamber type | | |
| Output Rating | PS/rpm | 38.4 / 1500 | |
| | kW/min ⁻¹ | 28.3 / 1500 | |
| No. of Cylinders-Bore × Stroke | mm | 4 - 98 x 100 | |
| Piston Displacement | L | 3.318 | |
| Fuel | Diesel Fuel ASTM No.2 or equivalent | | |
| Lube Oil Capacity | L | 13.2 | |
| Coolant Capacity | L | 10.5 | |
| Battery×Quantity | 95D31R x 1 | | |
| Fuel Tank Capacity | L | 62 | |
| UNIT | | | |
| Dimensions | Length | mm | 1800 |
| | Width | mm | 750 |
| | Height | mm | 1000 |
| Dry Weight (Total Weight) | kg | 780 (860) | |
| Sound Power Level | | | |
| 7m dB(A) 1500rpm(min ⁻¹)*1 | | 65 | |

* Depending on location and area, output voltage may differ from values listed in catalog.

* The power output rating is in accordance with ISO8528.

* 1 Sound level reflects high-speed no-load operation and is calculated by averaging the measurements at four points, each 7 meters from the source.

Dimensional Outline Drawing



+65 68622301

sales@sg.denyogroup.com

sg.denyogroup.com

No. 9 Neythal Road,
Singapore 628614